

Capillary Thermometer

Application: For heating and refrigeration

System: Liquid expansion

Model: CT2470



Specification:

Case: Nickel plated steel case and bayonet ring, case dia 63, 80, 100mm

Mounting: Surface mount or Panel mount

Window: glass

Capillaries: PVC-coated copper; standard lengths 1 - 1,5 metres, other lengths on request. Stainless steel capillary without coating for high temperature on request

Bulb: copper

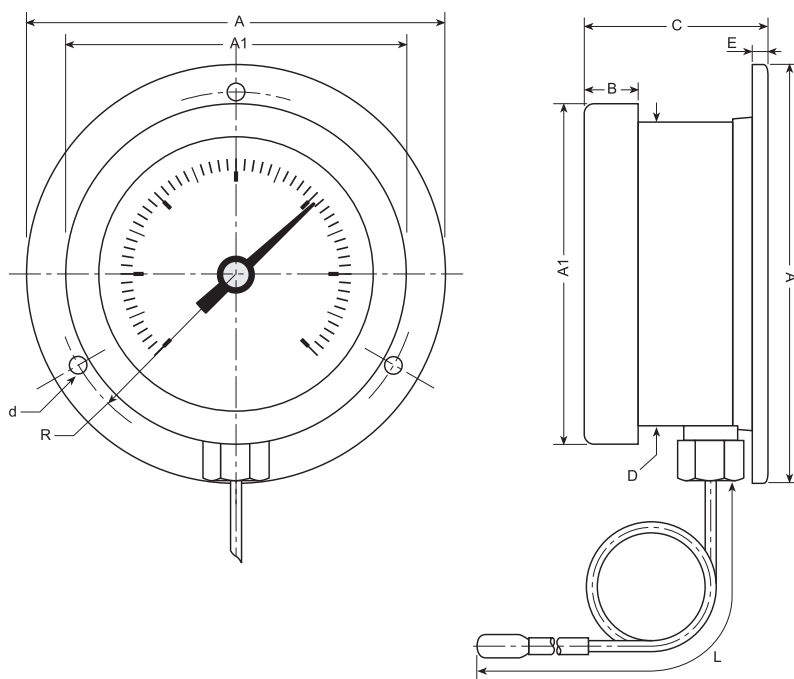
Sensing element: Beryllium spiral tube, adjustable at back, with bimetallic compensation

Dial: printed aluminum cupped dial. Custom designed dials on request

Pointer: aluminum

Scales: 0/120°C for heating, -40/+40°C for refrigeration; other scales up to 500 deg C on request.

Accuracy: ± 3% of full scale value



unit:mm

Dial	A	A1	B	C	D	E	R	d	L
63	85.5	69.5	11	37	62	3	37.15	3.6	1-1.5 metres
80	111	84.5	12.5	38.5	75.5	4	46.2	4.6	1-1.5 metres
100	132	109.5	14.5	39	98.5	4	58.7	5.2	1-1.5 metres