

2310 SERIES POCKET BIMETAL THERMOMETER MODEL:2310



Applications:

2310 is bimetal thermometer is used for industrial heating systems, hot water boilers or power systems.

Specifications:

Dial size:

100mm

Temperature element:

Coiled bimetal

Bulb: Stem removable, with set screw

Accuracy class: Cl 2,0

Maximum pressure rating of thermowell: 6bar

Location of stem: Lower mount

Case: Black steel or chrome plated and bezel, stainless steel bezel for option

Connection: Thermowell, 1/2" BSP, brass; Stem: copper

Thermowell length: 40, 63/100/150/200/250/300mm, brass

Dial: Aluminum, white with black writing

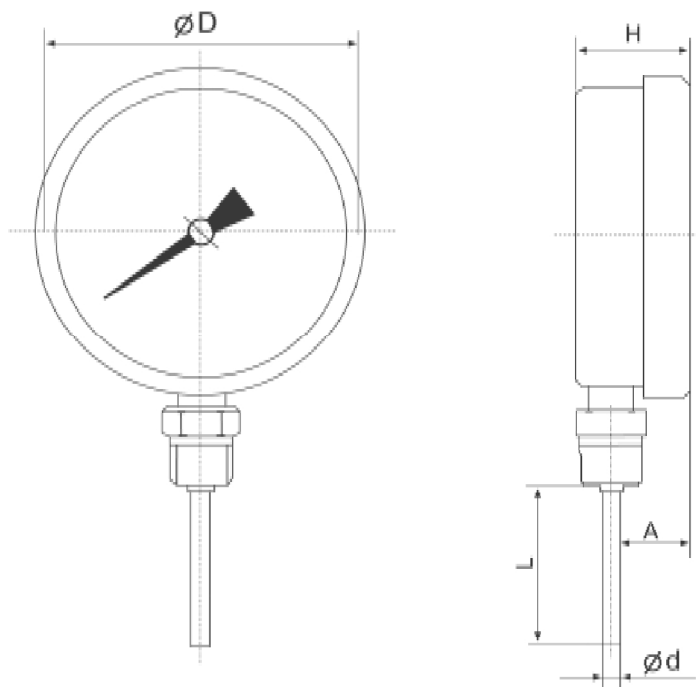
Pointer: Aluminum, Black

Window: Glass

Zero adjustment: At bottom of stem

Ranges: -30+50/-20+60/-10+50/0-60/0-80/0-120/0-160/0-200°C

Dimensions:



DIAL SIZE	D	H	A	d	L
4"	$\varnothing 100$	37	26	8~12	1.5''~1.2''